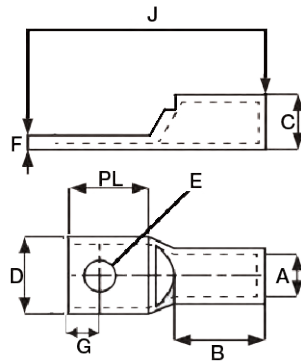


Copper Short Barrel 1 Hole Compression Lugs

NEW
STUD SIZES



- High Conductivity Seamless Copper
- Electro-Tin Plating Resists Corrosion, Reduces Contact Resistance for Maximum Conductivity
- Single Mounting Hole
- Color Coded Die Index and Crimp Marks Printed on Barrel
- UL 488A Listed for Applications Thru 35KV

DIMENSIONS = INCHES

CAT. NO.	WIRE RANGE	STUD SIZE	COLOR CODE	A	G	J	B	D	F	E	G	PL	BOX QTY
94800	250 MCM	1/4	YELLOW	.594	.752	2.64	1.06	1.09	.15	.25	.47	1.06	15
94802	250 MCM	5/16	YELLOW	.594	.752	2.64	1.06	1.09	.15	.33	.47	1.06	15
94082	250 MCM	3/8	YELLOW	.594	.752	2.64	1.06	1.09	.15	.41	.47	1.06	15
94084	250 MCM	1/2	YELLOW	.594	.752	2.64	1.06	1.09	.15	.51	.47	1.06	15
94803	250 MCM	5/8	YELLOW	.594	.752	2.64	1.06	1.09	.15	.67	.47	1.06	15
94808	300 MCM	1/4	WHITE	.657	.815	2.64	1.06	1.19	.15	.25	.52	1.06	15
94809	300 MCM	5/16	WHITE	.657	.815	2.64	1.06	1.19	.15	.33	.52	1.06	15
94810	300 MCM	3/8	WHITE	.657	.815	2.64	1.06	1.19	.15	.41	.52	1.06	15
94086	300 MCM	1/2	WHITE	.657	.815	2.64	1.06	1.19	.15	.51	.52	1.06	15
94087	300 MCM	5/8	WHITE	.657	.815	2.64	1.06	1.19	.15	.67	.52	1.06	15
94816	350 MCM	1/4	RED	.701	.874	2.80	1.12	1.28	.17	.26	.52	1.06	10
94817	350 MCM	5/16	RED	.701	.874	2.80	1.12	1.28	.17	.33	.52	1.06	10
94818	350 MCM	3/8	RED	.701	.874	2.80	1.12	1.28	.17	.41	.52	1.06	10
94088	350 MCM	1/2	RED	.701	.874	2.80	1.12	1.28	.17	.51	.52	1.06	10
94089	350 MCM	5/8	RED	.701	.874	2.80	1.12	1.28	.17	.67	.52	1.06	10
94822	400 MCM	1/4	BLUE	.764	.949	3.08	1.18	1.39	.18	.26	.52	1.25	10
94823	400 MCM	5/16	BLUE	.764	.949	3.08	1.18	1.39	.18	.33	.52	1.25	10
94824	400 MCM	3/8	BLUE	.764	.949	3.08	1.18	1.39	.18	.41	.52	1.25	10
94090	400 MCM	1/2	BLUE	.764	.949	3.08	1.18	1.39	.18	.51	.52	1.25	10
94091	400 MCM	5/8	BLUE	.764	.949	3.08	1.18	1.39	.18	.67	.52	1.25	10
94830	500 MCM	1/4	BROWN	.835	1.06	3.31	1.38	1.54	.22	.26	.52	1.25	6
94832	500 MCM	3/8	BROWN	.835	1.06	3.31	1.38	1.54	.22	.41	.52	1.25	6
94094	500 MCM	1/2	BROWN	.835	1.06	3.31	1.38	1.54	.22	.51	.52	1.25	6
94093	500 MCM	5/8	BROWN	.835	1.06	3.31	1.38	1.54	.22	.67	.52	1.25	6
94834	500 MCM	3/4	BROWN	.835	1.06	3.31	1.38	1.54	.22	.76	.52	1.25	6
94836	500 MCM	7/8	BROWN	.835	1.06	3.31	1.38	1.54	.22	.87	.52	1.25	6
94095	600 MCM	1/2	GREEN	.925	1.189	3.66	1.38	1.72	.25	.51	.69	1.46	4
94096	600 MCM	5/8	GREEN	.925	1.189	3.66	1.38	1.72	.25	.67	.69	1.46	4
94838	600 MCM	3/4	GREEN	.925	1.189	3.66	1.38	1.72	.25	.76	.69	1.46	4
94839	600 MCM	7/8	GREEN	.925	1.189	3.66	1.38	1.72	.25	.87	.69	1.46	4
94840	750 MCM	1/2	BLACK	1.03	1.31	3.94	1.63	1.90	.27	.51	.69	1.46	4
94098	750 MCM	5/8	BLACK	1.03	1.31	3.94	1.63	1.90	.27	.67	.69	1.46	4
94841	750 MCM	3/4	BLACK	1.03	1.31	3.94	1.63	1.90	.27	.76	.69	1.46	4
94842	750 MCM	7/8	BLACK	1.03	1.31	3.94	1.63	1.90	.27	.87	.69	1.46	4
94843	1000 MCM	1/2	WHITE	1.15	1.50	5.20	1.93	2.15	.33	.51	.86	1.74	3
94844	1000 MCM	5/8	WHITE	1.15	1.50	5.20	1.93	2.15	.33	.67	.86	1.74	3
94099	1000 MCM	3/4	WHITE	1.15	1.50	5.20	1.93	2.15	.33	.76	.86	1.74	3
94845	1000 MCM	7/8	WHITE	1.15	1.50	5.20	1.93	2.15	.33	.87	.86	1.74	3